

# MOS NAVIGATION LIGHTS

## MOSNL50D



The MOSNL50D, our most compact double navigation light with LED technology for vessels with a length over 50 meters. Designed for small, agile boats and ships with excellent visibility at high vertical angles. In addition, the double navigation light can back up itself. With its stylish, functional and thoughtful design, the MOSNL50D sets the standard for navigation lights.

The use of LED technology and high-quality components from the automotive industry ensures that it is the most robust and durable in its class. It does not generate interference noise and minimizes expensive maintenance costs with its 60,000 hrs lifetime.







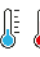
Our navigation light with high-power LED technology, MOSNL50D, sets new standards in navigation lighting. It is the most ideal for cruising with its excellent visibility features in the expected visibility scale in sea cruising. With its epochal design and functionality, the MOSNL50D provides us with high durability and long-lasting use with the use of carefully selected quality components. In this way, keeping the maintenance costs to a minimum, MOSNL50D take aim at be the leader of the navigation light class with its visibility for ships over 50m.



### MATERIALS

- Hard, anodised, seawater resistant aluminium body
- UV resistant Quartz glass lens
- Epoxy coated LED driver for maximum protection
- High power LED

### TECHNICAL SPECIFICATIONS

- |                    |   |   |  |
|--------------------|---|---|--|
| • Power Supply     | : 24V   |  Long Lifetime         |  Maintenance Friendly |
| • Lifetime         | : 60.000 Hrs  |   |  |
| • Visibility       | : 3 NM - 6 NM   |  No voice interference |  Waterproof IP67      |
| • Operation Temp.  | : -25 to +85 °C   |   |  |
| • Protection Class | : IP67  |   |  |
| • Approval         | : MED  0437/23  Robust design |  Thermal management  |  |



ISO 9001:2015  
BUREAU VERITAS  
Certification



**BTB**  
**SOLUTIONS**  
Beyond The Borders

# MOSNL50D MODELS



Sector Lights	Visibility	LED Colour	Power	Code
Port	3 NM	Red	6 W	310160
Starboard	3 NM	Green	2,4 W	310162
Stern	3 NM	White	1,4 W	310164
Towing	3 NM	Yellow	3,3 W	310166
Masthead	6 NM	White	7,5 W	310168

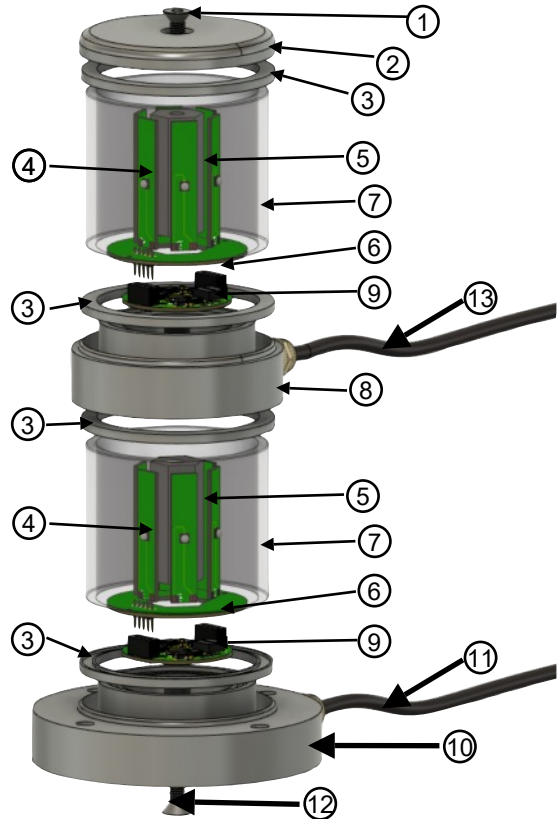
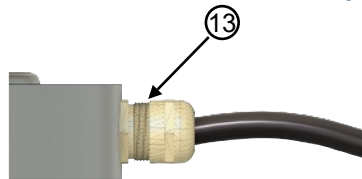
All-round Lights	Visibility	LED Colour	Power	Code
White	3 NM	White	3,3 W	310172
Manoeuvring	3 NM	White	7,6 W	310173
Red	3 NM	Red	9,2 W	310174
Green	3 NM	Green	12,6 W	310176
Yellow	3 NM	Yellow	4,7 W	310180

Special Lights	Visibility	LED Colour	Power	Code
Red Suez	3 NM	Red	6 W	310163
Kiel Canal Green	3 NM	Green	1,4 W	310165

## SPARE PARTS

No	Part	Code
1	Screw Inox M6x100mm	SP500120
2	Cover Aluminum 75x8mm	SP500110
3	O-ring Silicon 70mmx62mm	SP500131
4	Led PCB Board Single	SP500135
5	Angular Body ARO Screen	SP500106
	Angular Body MST Screen	SP500105
	Angular Body SPS Screen	SP500104
6	Angular Body ARO PCB	SP500166
	Angular Body MST PCB	SP500168
	Angular Body SPS PCB	SP500167
7	Quartz Glass Tube	SP500107
8	Aluminum Main Housing R:80mm	SP500102
9	LED Driver Card	SP500138
10	Aluminum Main Housing R:110mm	SP500101
11	Cable 2x0,50mm2	SP500113
12	Screw Inox M6x50mm	SP500122
13	Cable Gland	SP500114



ISO 9001:2015  
BUREAU VERITAS  
Certification

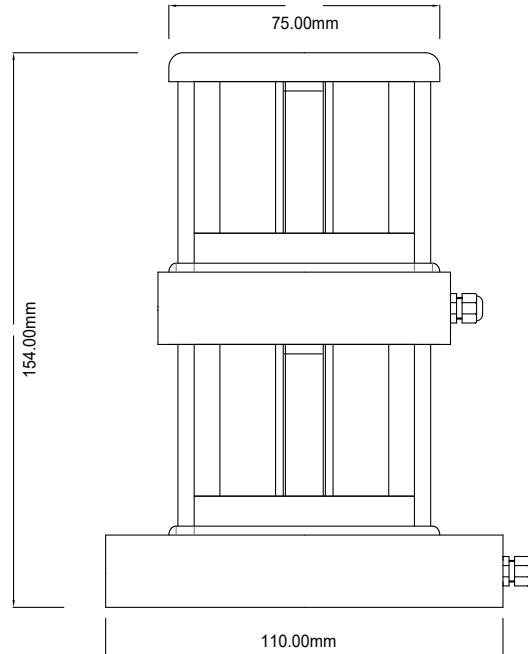


**BTB**  
**SOLUTIONS**  
Beyond The Borders

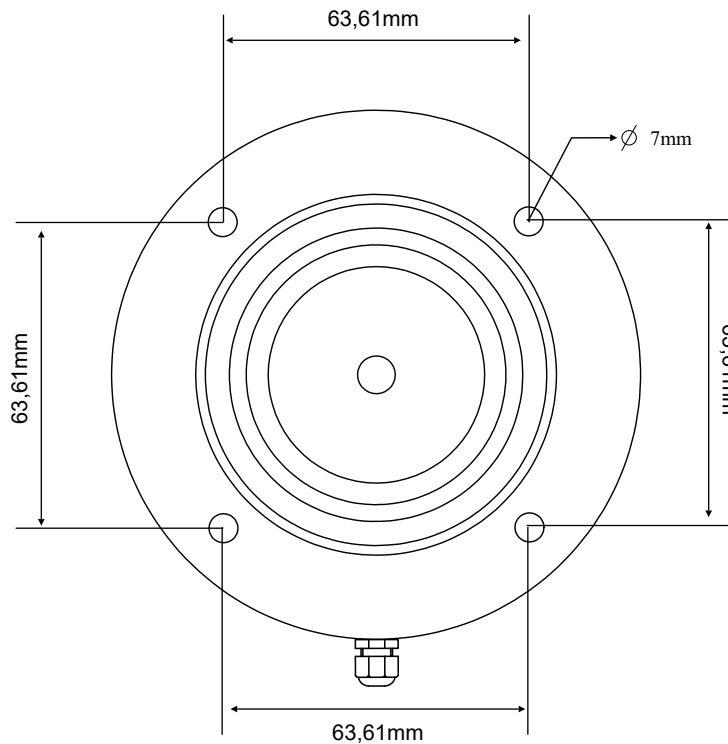
# MOSNL50D DIMENSION



## Width and Length



## Screw Pitch



ISO 9001:2015  
BUREAU VERITAS  
Certification



**BTB**  
SOLUTIONS  
Beyond The Borders