

# MOS NAVIGATION LIGHTS MOSNL50U



The MOSNL50U, our most compact navigation light with LED technology. Designed for small, agile boats and ships with excellent visibility at high vertical angles. With its stylish, functional and thoughtful design, the MOSNL50U sets the standard for navigation lights.

The use of LED technology and high-quality components from the automotive industry ensures that it is the most robust and durable in its class. It does not generate interference noise and minimizes expensive maintenance costs with its 60,000 hrs lifetime.







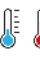
Our navigation light with high-power LED technology, MOSNL50U, sets new standards in navigation lighting. It is the most ideal for cruising with its excellent visibility features in the expected visibility scale in sea cruising. With its epochal design and functionality, the MOSNL50U provides us with high durability and long-lasting use with the use of carefully selected quality components. In this way, keeping the maintenance costs to a minimum, MOSNL50U take aim at be the leader of the navigation light class with its visibility for ships below 50m.



## MATERIALS

- Hard, anodised, seawater resistant aluminium body
- UV resistant Quartz glass lens
- Epoxy coated LED driver for maximum protection
- High power LED

## TECHNICAL SPECIFICATIONS

- |                    |   |   |  |
|--------------------|---|---|--|
| • Power Supply     | : 24V   |  Long Lifetime         |  Maintenance Friendly |
| • Lifetime         | : 60.000 Hrs  |   |  |
| • Visibility       | : 2 NM - 5 NM   |  No voice interference |  Waterproof IP67      |
| • Operation Temp.  | : -25 to +85 °C   |   |  |
| • Protection Class | : IP67  |   |  |
| • Approval         | : MED  0437/23  Robust design |  Thermal management  |  |



ISO 9001:2015  
BUREAU VERITAS  
Certification



**BTB**  
**SOLUTIONS**  
Beyond The Borders

# MOSNL50U MODELS



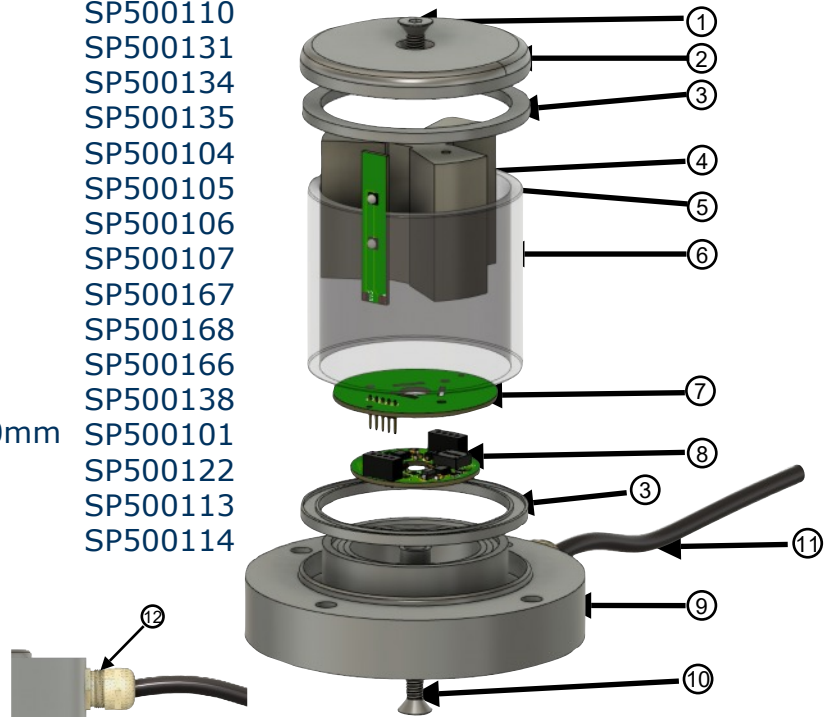
Sector Lights	Visibility	LED Colour	Power	Code
Port	2 NM	Red	1,4 W	310100
Starboard	2 NM	Green	0,6 W	310102
Stern	2 NM	White	1,7 W	310104
Towing	2 NM	Yellow	1,1 W	310106
Masthead	5 NM	White	1,8 W	310109
Masthead	3 NM	White	0,6 W	310108

All-round Lights	Visibility	LED Colour	Power	Code
White	2 NM	White	1,5 W	310112
Red	2 NM	Red	3,2 W	310114
Green	2 NM	Green	1,5 W	310116
Yellow	2 NM	Yellow	1,4 W	310120

Special Lights	Visibility	LED Colour	Power	Code
Red Suez	2 NM	Red	3,1 W	310103
Kiel Canal Green	2 NM	Green	0,7 W	310105

## SPARE PARTS

No.	Part	Code
1	Screw Inox M6x16mm	SP500119
2	Cover Aluminium 75x8mm	SP500110
3	O-ring Silicon 70mmx62mm	SP500131
4	Led PCB Board Double	SP500134
	Led PCB Board Single	SP500135
5	Angular Body SPS Screen	SP500104
	Angular Body MST Screen	SP500105
	Angular Body ARO Screen	SP500106
6	Quartz Glass Tube	SP500107
7	Angular Body SPS PCB	SP500167
	Angular Body MST PCB	SP500168
	Angular Body ARO PCB	SP500166
8	Driver Card	SP500138
9	Aluminum Main Housing R:110mm	SP500101
10	Screw Inox M6x50mm	SP500122
11	Cable (2x0,50mm)	SP500113
12	Cable Gland M10	SP500114



ISO 9001:2015

BUREAU VERITAS  
Certification

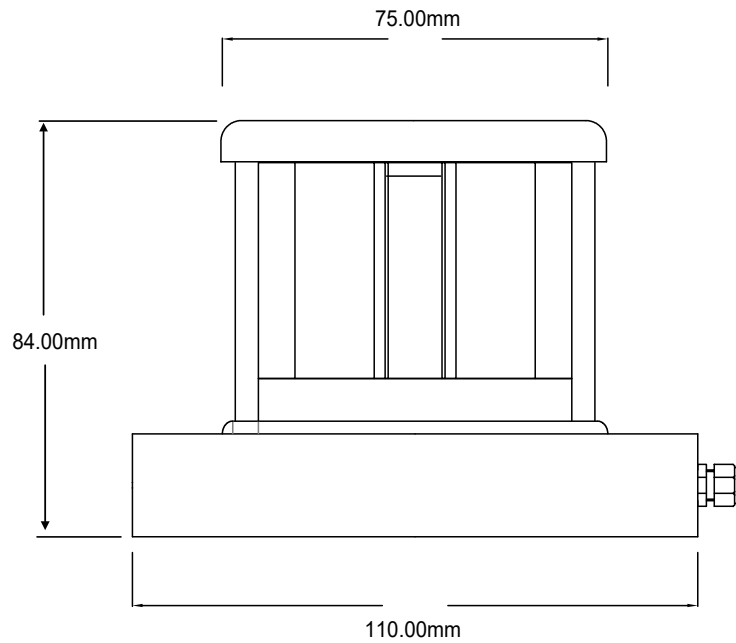


**BTB**  
**SOLUTIONS**  
Beyond The Borders

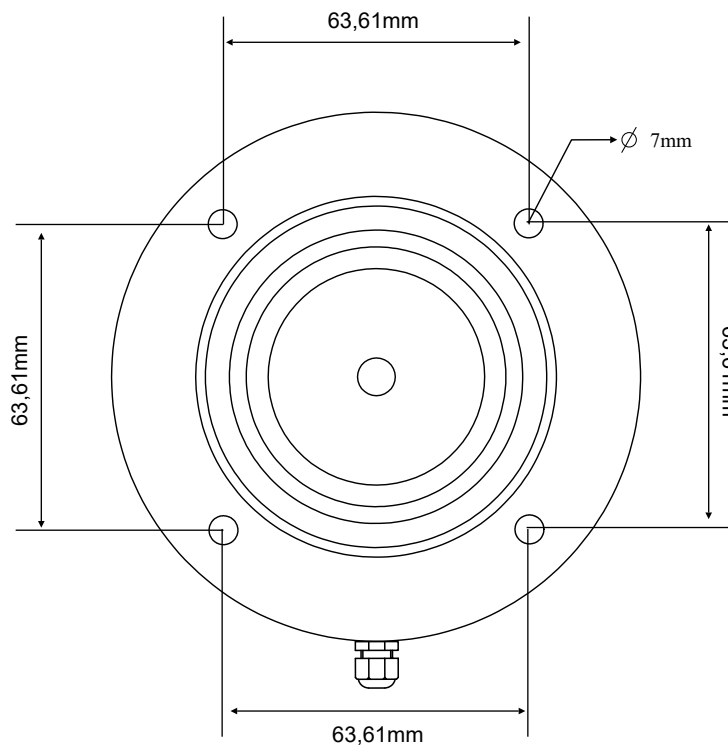
# MOSNL50U DIMENSION



## Width and Length



## Screw Pitch



ISO 9001:2015  
BUREAU VERITAS  
Certification



**BTB**  
SOLUTIONS  
Beyond The Borders